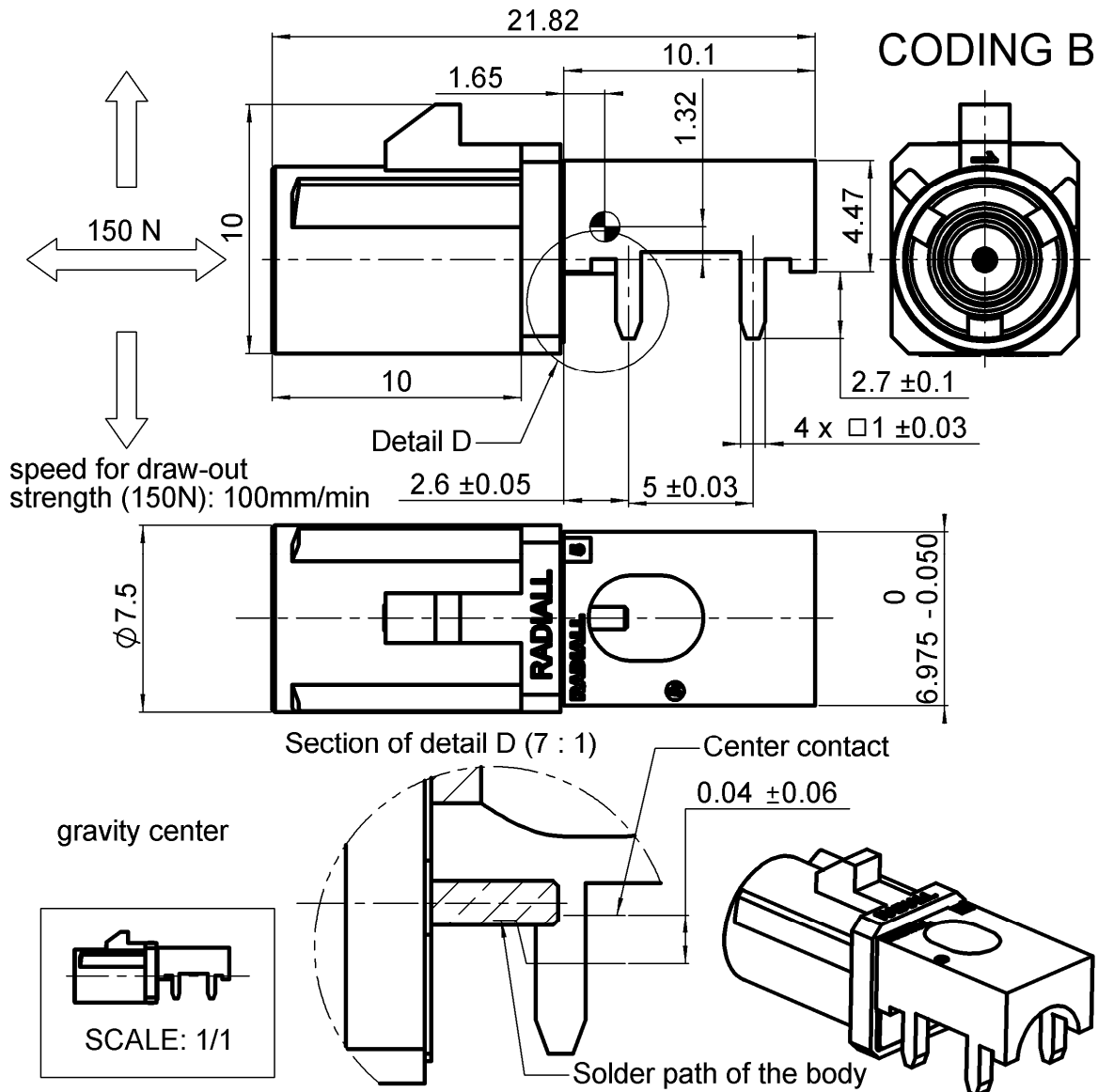


**STRAIGHT PCB RECEPTACLE**  
**EDGE CARD - PIN IN PASTE VERSION**

**R197.160.B18**  
 Series : SMB CARLOCK



All dimensions are in mm.

COMPONENTS	MATERIALS	PLATING (µm)
BODY	ZINC ALLOY	TIN FOR HI TEMPERATURE
CENTER CONTACT	BRASS	GOLD 0.5 OVER NICKEL 2
OUTER CONTACT	-	-
INSULATOR	PTFE	-
GASKET	-	-
OTHERS PARTS	-	-
-	-	-
-	-	-

**HOUSING** PA 4.6 30%GF

UL CLASSIFICATION | COLOR

UL 94 V2 | WHITE RAL 9001

\* According to FAKRA specification

Issue : 0943 C

In the effort to improve our products, we reserve the right to make changes judged to be necessary.



**STRAIGHT PCB RECEPTACLE**  
**EDGE CARD - PIN IN PASTE VERSION**

**R197.160.B18**

Series : **SMB CARLOCK**

**PACKAGING**

Standard	Unit	Other
<b>350</b>	<b>'W' option</b>	<b>Contact us</b>

**SPECIFICATION**

**QS9000 A 00**  
**SN 55228-2\*\***

**ELECTRICAL CHARACTERISTICS**

Impedance	<b>50</b>	$\Omega$
Frequency	<b>0-4</b>	GHz
VSWR	<b>1.06*</b> + <b>0,0130</b>	x F(GHz) Maxi
Insertion loss	<b>0.03*</b>	$\sqrt{F}$ (GHz) dB Maxi
RF leakage	- (	- F(GHz)) dB Maxi
Voltage rating	<b>335</b>	Veff Maxi
Dielectric withstanding voltage	<b>1000</b>	Veff mini
Insulation resistance	<b>1000</b>	M $\Omega$ mini

**ENVIRONMENTAL**

Operating temperature	<b>-40/+110</b>	$^{\circ}$ C
Hermetic seal	<b>NA</b>	Atm.cm3/s
Panel leakage	<b>NA</b>	

**OTHER CHARACTERISTICS**

Assembly instruction

Others :

\*COAX TRANSMISSION LINE ONLY

\*\*Complaint except that 2D label does not include the shipping note number.

**MECHANICAL CHARACTERISTICS**

Center contact retention		
Axial force – Mating end	<b>10</b>	N mini
Axial force – Opposite end	<b>10</b>	N mini
Torque	<b>NA</b>	N.cm mini
Recommended torque		
Mating	<b>NA</b>	N.cm
Panel nut	<b>NA</b>	N.cm
Mating life	<b>50</b>	Cycles mini
Weight	<b>2,2300</b>	g

Issue : 0943 C

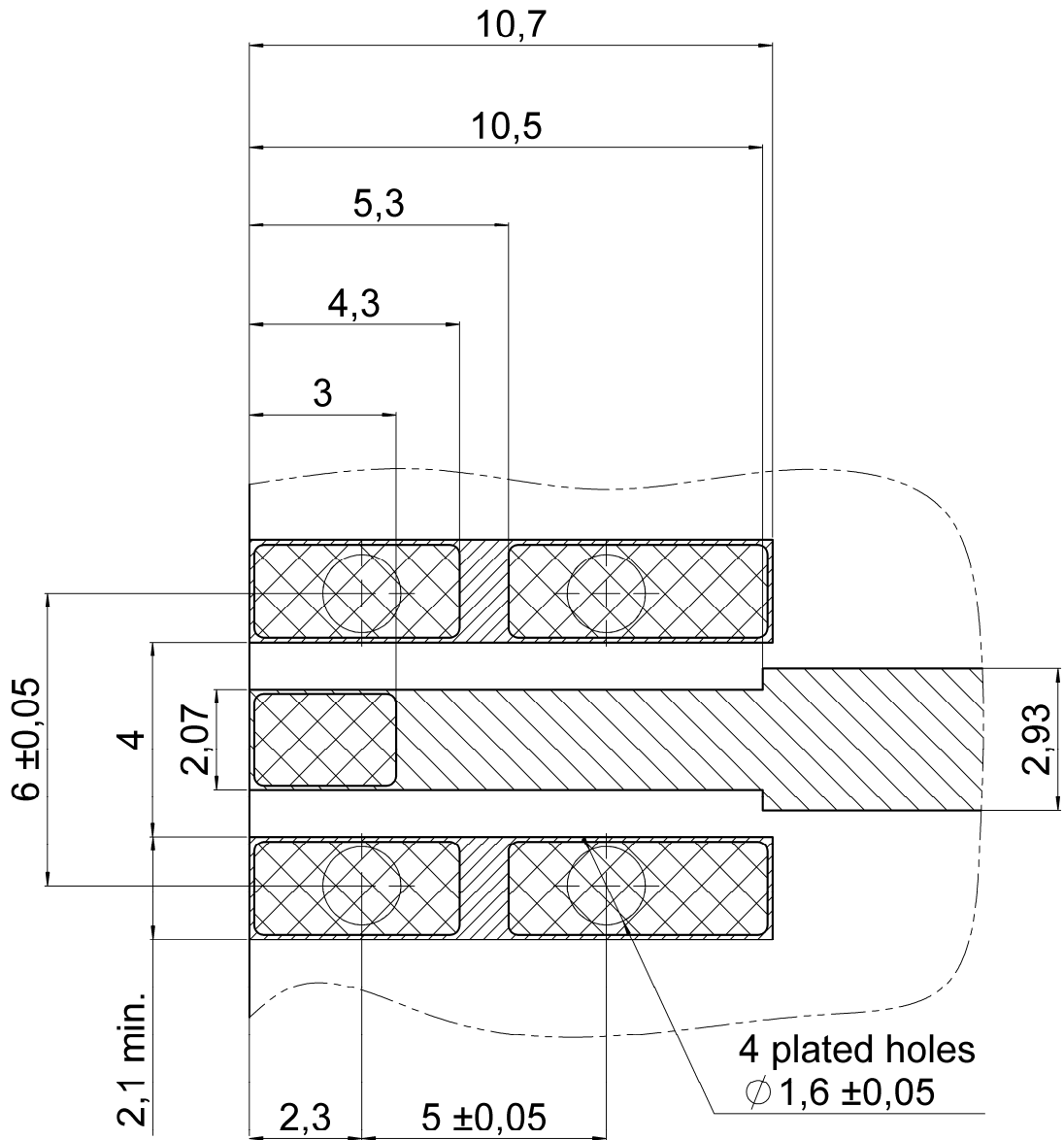
In the effort to improve our products, we reserve the right to make changes judged to be necessary.



**STRAIGHT PCB RECEPTACLE**  
**EDGE CARD - PIN IN PASTE VERSION**

**R197.160.B18**  
 Series : SMB CARLOCK

**MOUNTING ZONE FOR RECEPTACLE**



Thickness of PCB: 1,6 mm.

Material of PCB: FR4 ( $\epsilon_r = 4.6$ ).

Solder paste has to be printed onto the land of solder and into holes to permit Pin In Hole Reflow

-  Ground track
-  Signal track
-  Land for solder

Issue : 0943 C

In the effort to improve our products, we reserve the right to make changes judged to be necessary.



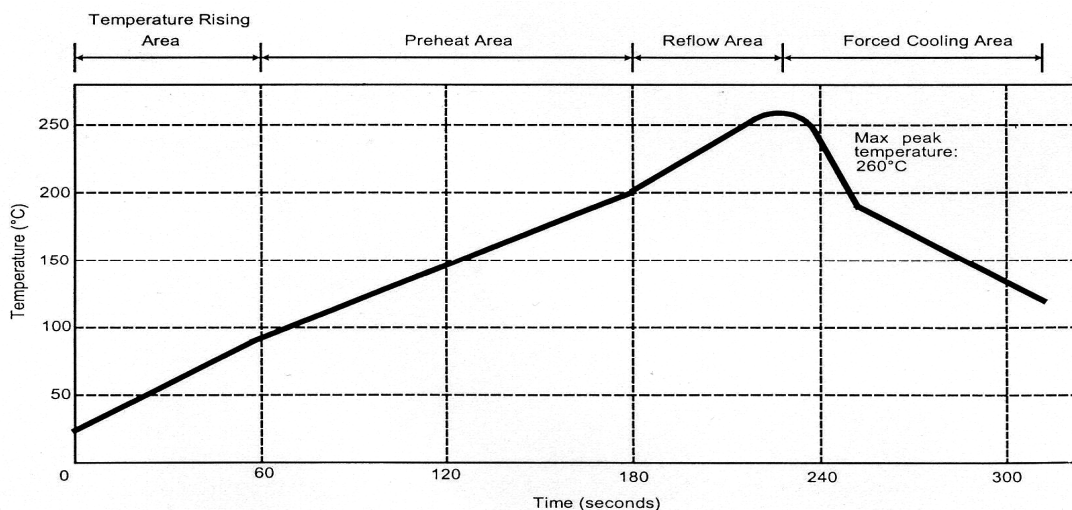
**STRAIGHT PCB RECEPTACLE**  
**EDGE CARD - PIN IN PASTE VERSION**

**R197.160.B18**  
 Series : **SMB CARLOCK**

**SOLDER PROCEDURE**

1. Deposition of solder paste ‘Sn Ag4 Cu0.5’ on mounting zone by screen printing application. We recommend a low residue flux.  
 We advise a thickness of 0.2 millimetres min. ( 0.008 inch min. ). Verify that the edges of the zone are clean.
2. Placement of the receptacle on the mounting zone with an automatic machine of ‘pick and place’ type.  
 Video camera is recommended for the positioning of the component. Adhesive agents must not be used on the receptacle.
3. Soldering by infra-red reflow.  
 Below, please find the typical profile to use.
4. Cleaning of printed circuit boards.
5. Checking of solder joints and position of the component by visual inspection.

**TEMPERATURE PROFILE**



Parameter	Value	Unit
Temperature rising Area	1 - 4	°C/sec
Max Peak Temperature	260	°C
Max dwell time @260°C	10	sec
Min dwell time @235°C	20	sec
Max dwell time @235°C	60	sec
Temperature drop in cooling Area	-1 to - 4	°C/sec

Issue : 0943 C

In the effort to improve our products, we reserve the right to make changes judged to be necessary.



**STRAIGHT PCB RECEPTACLE**  
**EDGE CARD - PIN IN PASTE VERSION**

**R197.160.B18**  
 Series : **SMB CARLOCK**

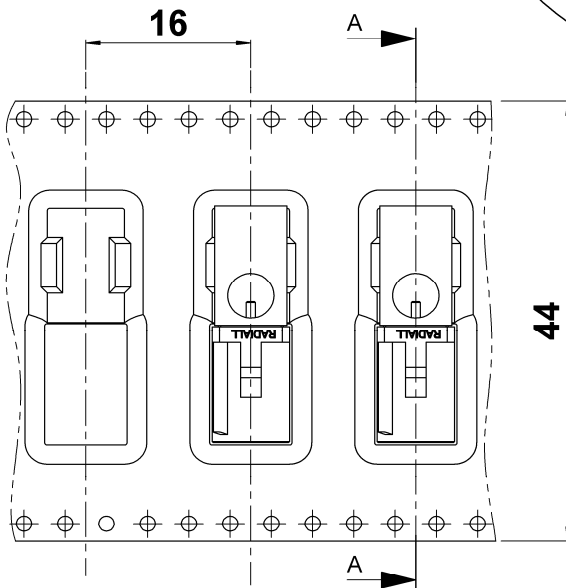
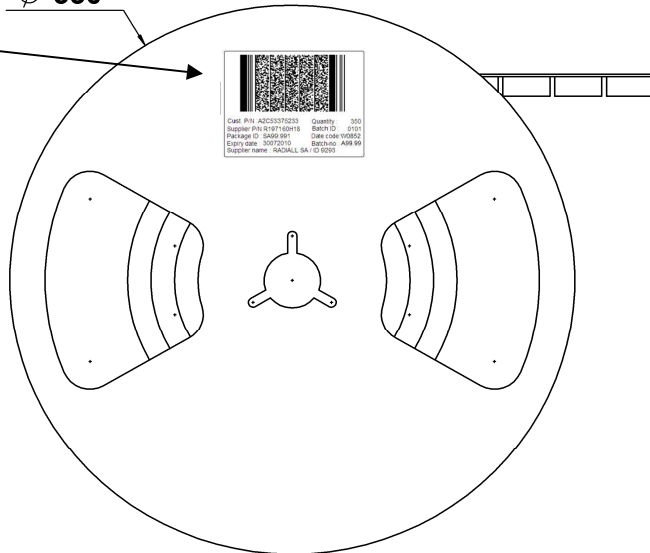
**REEL PAKAGING PER 350**

**Label for identification :**

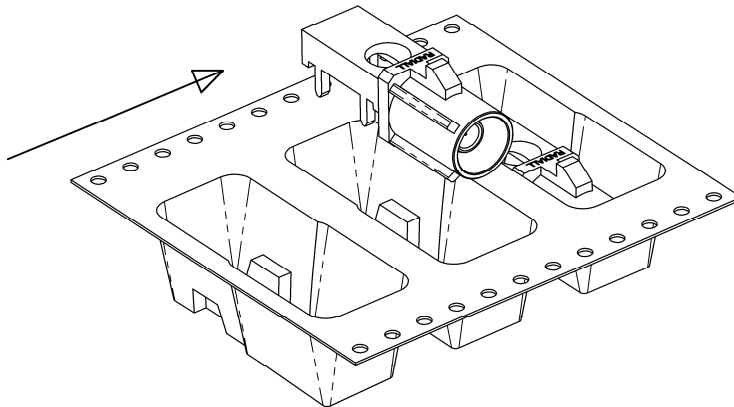
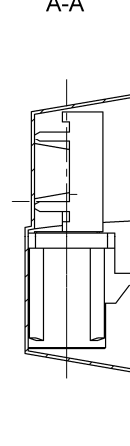
∅ 330



**CELL MATERIAL :**  
 Antistatic  
**COVER TAPE MATERIAL :**  
 conductive polyester film tape



A-A



Issue : 0943 C

In the effort to improve our products, we reserve the right to make changes judged to be necessary.



**STRAIGHT PCB RECEPTACLE**  
**EDGE CARD - PIN IN PASTE VERSION**

**R197.160.B18**

Series : SMB CARLOCK



**CODING A**  
**COLOR BLACK**  
**RAL 9005**



**CODING B**  
**COLOR CREAM**  
**WHITE**  
**RAL 9001**



**CODING C**  
**COLOR BLUE**  
**RAL 5005**



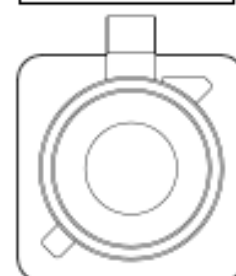
**CODING D**  
**COLOR BORDEAUX**  
**VIOLET**  
**RAL 4004**



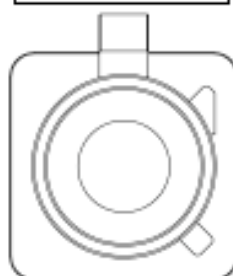
**CODING E**  
**COLOR GREEN**  
**RAL 4002**



**CODING F**  
**COLOR BROWN**  
**RAL 8011**



**CODING G**  
**COLOR GREY**  
**RAL 7031**



**CODING H**  
**COLOR VIOLET**  
**RAL 4003**



**CODING I**  
**COLOR BEIGE**  
**RAL 1001**



**CODING K**  
**COLOR CURRY**  
**RAL 1027**



**CODING Z**  
**COLOR WATER BLUE**  
**RAL 5021**

**UL CLASSIFICATION**  
**UL 94V-2**

*\*According to FAKRA specifications*

To obtain other coding for the connector please change the letter by the needed coding letter into the Part Number

Issue : 0943 C

In the effort to improve our products, we reserve the right to make changes judged to be necessary.

